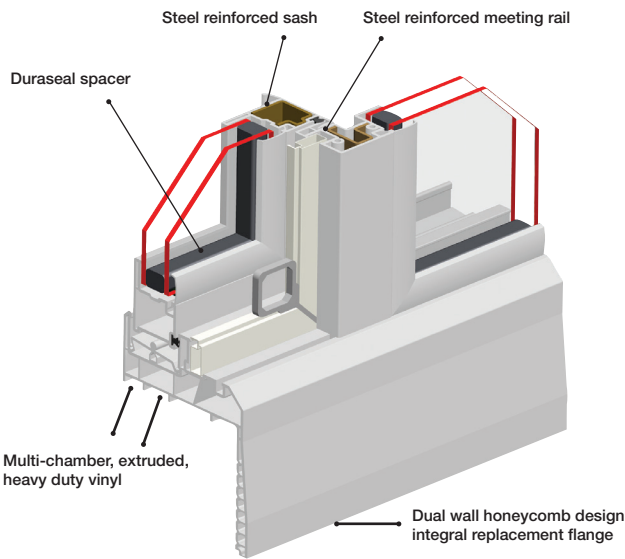




Timeless Series windows feature a slim frame for maximum viewing area, standard LoE3 glass and frame types for every application. A preferred choice for convenience and functionality.



Timeless Windows feature the original European inspired automatic sash lock.

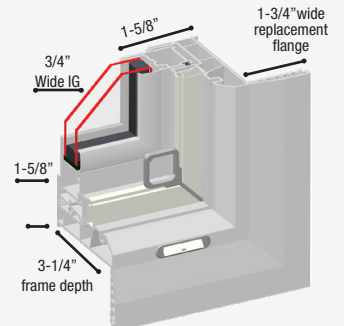
Timeless Horizontal Sliding Thermal Performance

Glazing			Grids	U Factor	SHGC	VT	CR Condensation Resistance
Dual	2mm LoE3	2mm Clear					
			None	0.29	.22	.52	CR 44
			3/4-5/8"		.20	.47	
			>1"		.18	.42	

As tested with LoE3 glass, Duraseal Spacer and Argon gas filled combined with clear glass. *Thermal performance varies according to window type.

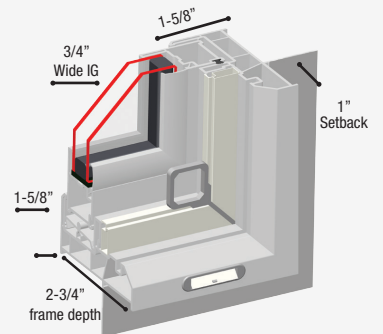
RETROFIT

For replacement applications. This frame type allows convenient installation without the need to break stucco. 2-1/2" replacement flange is also available.



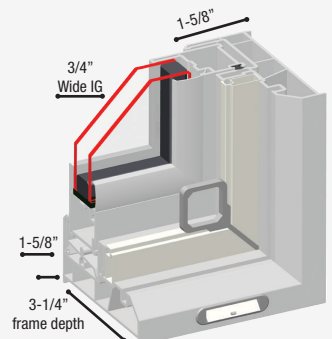
NAIL ON

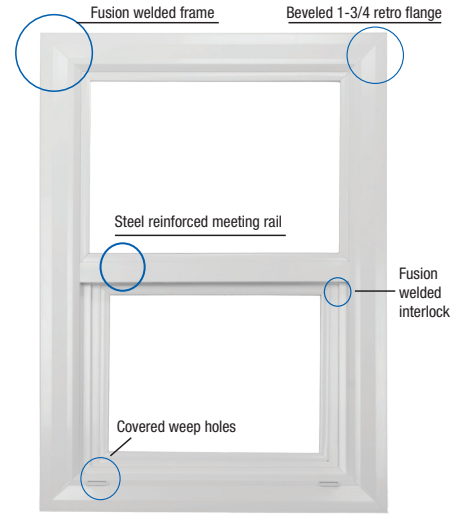
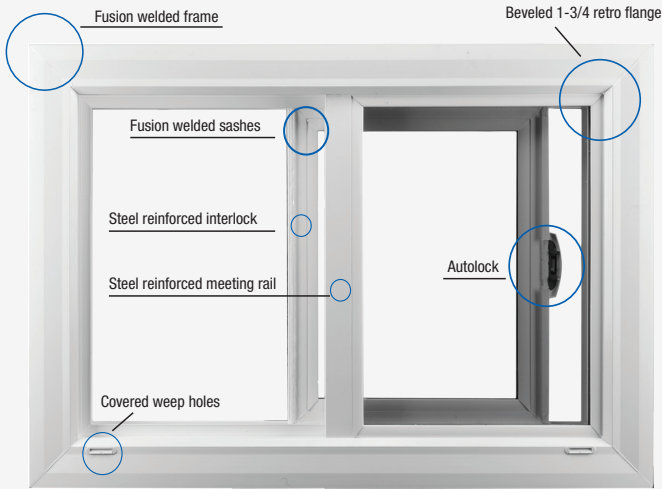
Nail-on frame allows for targeted installation in new construction applications and is available in 1" and 1-3/8" setback. 1-3/8" is only available in white.



BLOCK

Block frame is suitable for some replacement and new construction applications.





Timeless Windows Key Features:

- Heavy duty extruded vinyl for structural strength and durability
- Miter cut and fusion welded frame and sash for rigidity and integrity
- Steel reinforced sashes for outstanding support
- Integral pull rail for easy operation of moving sash
- 1" and 1 3/8" nailing fin set back
- Auto-lock for easy locking action
- Single Hungs feature block and tackle balance system
- Weep hole covers prevent debris from obstructing the drainage system and provide an aesthetic look
- Beveled, multi-chambered extruded vinyl improves thermal performance while providing an aesthetic appearance
- 3/4" insulated glass unit featuring LoE3 glass and Duraseal spacer enhances thermal performance of glass components
- Full weather stripping helps prevent air infiltration
- Argon gas filled chamber for increased energy savings
- Flat and sculptured grids in a variety of patterns
- Standard, custom and extra large sizes are available
- Factory stacking and mulling options in many different combinations
- AAMA and NFRC certified to meet or exceed industry structural and energy efficiency standards

Exterior Coating Options



Custom color available at extra charge
*color may vary on actual product

Standard Colors



Available Configurations:

- Horizontal slider
- Double horizontal slider
- Tilt-in Single hung
- Double hung
- Picture windows
- Geometric shapes
- Casements & Awnings
- Stacked and mulled combinations

