

# Timeless XOX PW Window Block

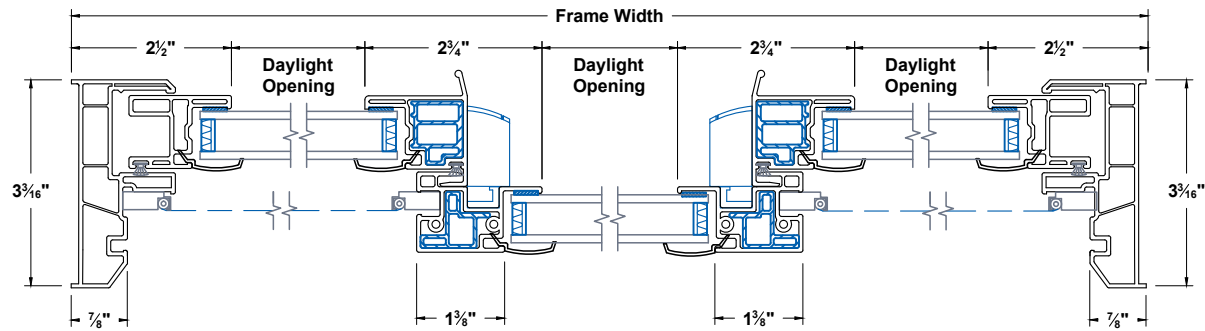
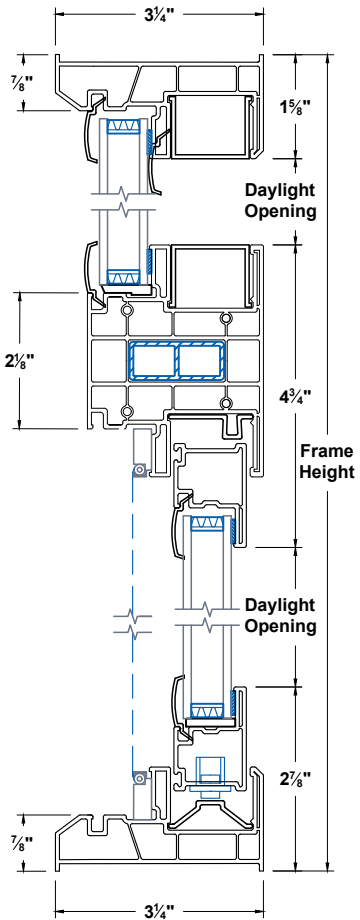
Section  
Details

UNITS  
INCHES

CAD SCALE  
NO SCALE

REVISION  
01-30-2025

FILE NAME  
TI-XOX\_PW-BK



**Jambs**

## Head & Sill